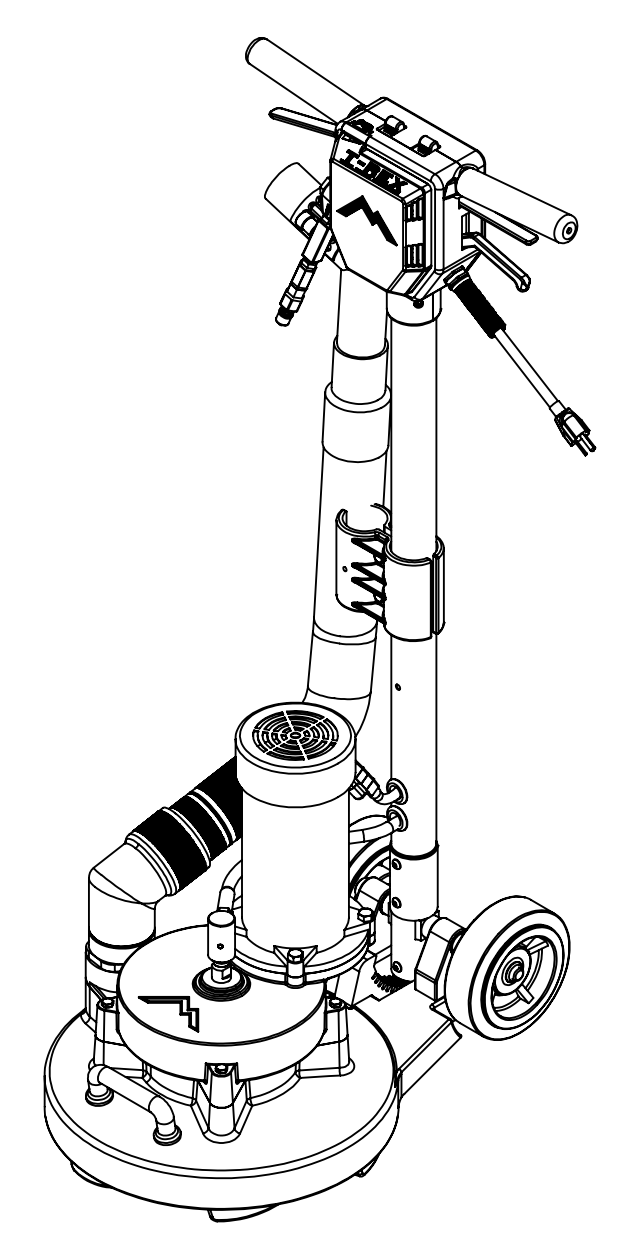


ITEM NO.	PART NO.	DESCRIPTION	QTY.	MSRP
1	H341	handle pivot, floor machine	1	\$74.99 ea
2	H089	axle, 9.63" x .50" dia	1	\$10.99 ea
3	H267	pivot support, t-rex	2	\$40.99 ea
4	H065	bushing, sleeve, 5/8 i.d. x 1.25" long	2	\$9.99 ea
5	H066	bolt, shoulder 5/8" x 1.25", 1/2-13 thrds	2	\$14.99 ea
6	H427	washer, wave	2	\$1.49 ea
7	H665	wheel, 6" dia, 2" width, 1/2 axle	2	\$24.99 ea
8	H219	cap, axle, 1/2"	2	\$0.99 ea
9	H157	spring, handle adjustment	1	\$5.99 ea
10	H847	bushing, locking piston	1	\$17.99 ea
11	H152	retaining ring, internal 1 1/2"	1	\$0.99 ea
12	H844	locking piston, handle adj.	1	\$19.99 ea
13	H148	washer, 5/16", narrow	7	\$0.99 ea
14	H843	locking arc, handle adj, floor machine	1	\$51.99 ea
15	H421	washer, 5/16" lock, s/s	10	\$0.99 ea
16	H151	bolt, 5/16-18 x 3/4" Long SHCS	10	\$0.99 ea
17	H705	bolt, giude, locking piston	1	\$0.99 ea
18	A102	assembly, cleaning head, TRex	1	\$699.99 ea
19	H126	plate, seal, head/ bell housing	1	\$5.99 ea
20	P516	bell housing and chasis, t-rex	1	\$39.99 ea
21	H768	bolt, 1/4-20 x 3/4" serrated hex flange, zinc	2	\$0.99 ea
22	H485	handle, aluminim grip, black	1	\$6.99 ea
23	G023	o-ring, transmission,, TRex JR	1	\$0.99 ea
24	C311	motor & transmission, 1 hp, TRex	1	\$926.99 ea
25	B139	rotary union	1	\$159.99 ea
26	P517	vacuum sight tube w/ 2" fw mpt Cuff-Lynx	1	\$31.99 ea
27	H230	screw, 10-32 x 1/2" phil pan head, s/s	7	\$0.99 ea
28	H882	screw, 8 x 3/4 phil pan head, type a, s/s	2	\$0.99 ea
29	P501	cover, controller board, t-rex	1	\$15.99 ea
30	E382	pcb speed control	1	\$138.99 ea
31	H258	switch box, T-REX	1	\$25.99 ea
32	P574	knob, clear plastic, t-rex potent	1	\$1.49 ea
33	E363	potentiometer, slide	1	\$16.69 ea
34	B101	qd, brass, 1/4" m	1	\$8.49 ea
35	B247	filter, in-line, 100 mesh, 1/4" mpt x fpt	1	\$13.99 ea
36	B194	nipple, hex, 1/4" mpt x 1/8" mpt	2	\$7.99 ea
37	B237A	valve, flow, 1/8"	1	\$84.99 ea
38	B100A	swivel, high pressure, stainless steel	1	\$45.99 ea
39	B130	45 deg, street elbow, brass, 1/4" male	1	\$5.49 ea
40	B133-A	valve, brass, K, w/ trigger for wands	1	\$30.99 ea
41	B103	elbow, brass, 90 deg, 1/4"mpt x 1/4" fpt	1	\$4.49 ea
42	H136	Cuff-Lynx, 2" hose x 2" male swivel Cuff-Lynx	1	\$3.99 ea
43	H202	bolt, 1/4-20 x 3/4" hex head, s/s	2	\$0.99 ea
44	H210	washer, 1/4" flat, s/s	4	\$0.99 ea
45	H276	clamp, vacuum elbow, TRex	2	\$15.99 ea
46	H061	2' vac hose x 22"	1	\$4.99/ft
47	H302	cuff, hose, 2" x 2.5", swivel, grey	1	\$12.99 ea
48	G082A	sleeve, vac relief, 2", spin	1	\$1.99 ea
49	AH110	sol hose, 1/4" x 48" (OAL)	1	\$48.99 ea
50	H093	tube, vac elbow, 2" dia	1	\$52.99 ea
51	H054	bolt, 3/8-16 x 1-1/4", hex head	4	\$3.99 ea
52	H169	bolt, 1/4-20 x 2", hex head	4	\$3.99 ea

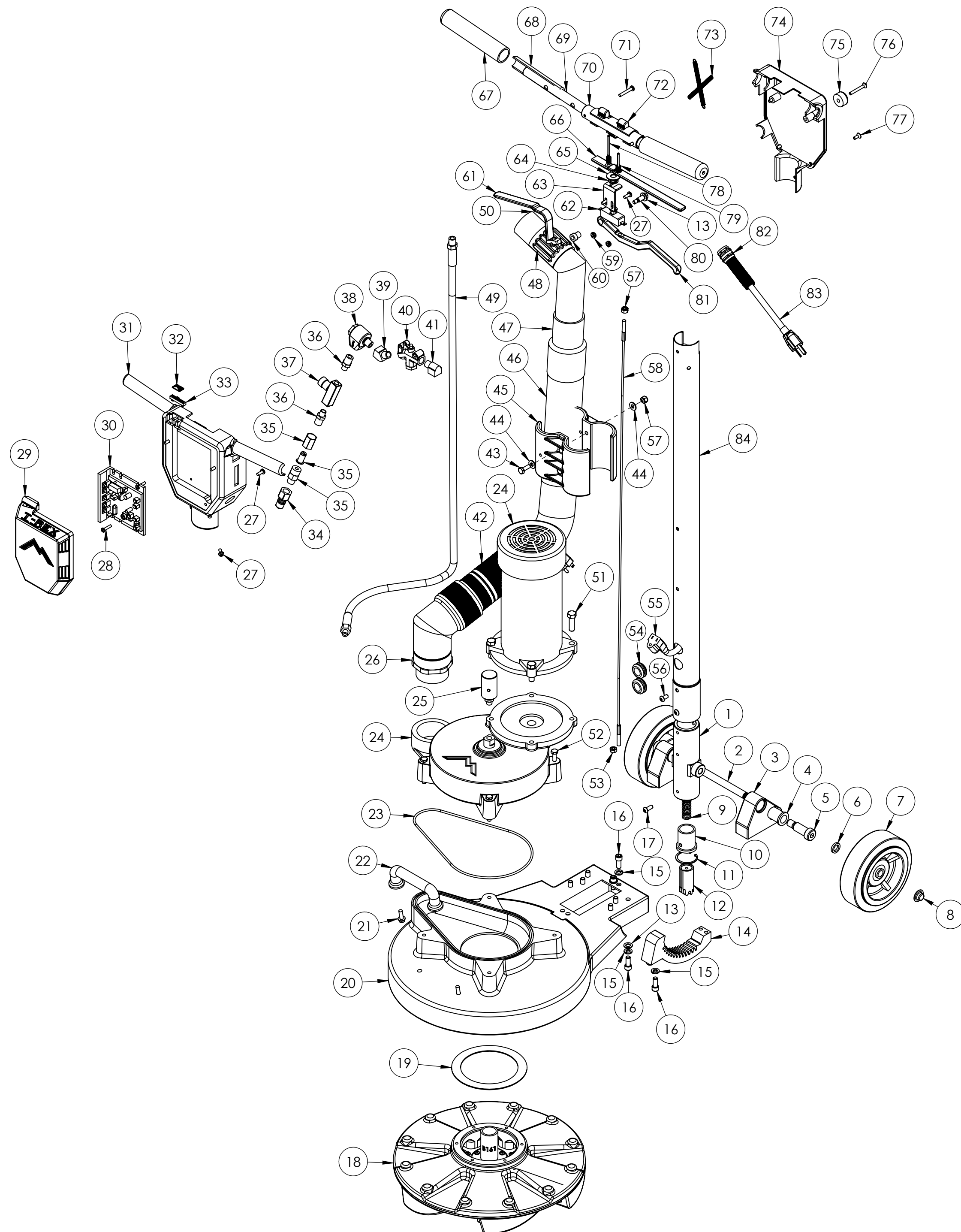
ITEM NO.	PART NO.	DESCRIPTION	QTY.	MSRP
53	H215	nut, hex, 1/4-20 s/s	1	\$0.99 ea
54	H164	grommet, 5/8" ID	2	\$1.99 ea
55	E349	cord, female 38", 14/3 IEC320C13 plug	1	\$11.99 ea
56	H047	screw, 1/4-20 x 1/2", button, s/s, blk oxide	4	\$0.99 ea
57	H216	nut, lock, 1/4-20, nylon insert, s/s	3	\$0.99 ea
58	H159	cabl, handle adj, floor machine	1	\$6.99 ea
59	H458	nut, lock, 10-32, thin pattern	2	\$0.99 ea
60	P529	spacer, lever, handle adj.	1	\$1.99 ea
61	H257	lever, solution, T-REX	1	\$19.99 ea
62	H167	switch, floor machine	1	\$13.99 ea
63	H127	bracket, mount, switch	1	\$0.99 ea
64	H640	washer, internal star, 3/8" zinc	1	\$0.99 ea
65	H384	washer, 3/8 flat, s/s	1	\$0.99 ea
66	H263	lever, switch, T-REX	1	\$15.99 ea
67	G040	grip, handle, floor machine	2	\$1.99 ea
68	P522	handle, back half, T-REX	2	\$0.99 ea
69	H261-B	handle, reinforcement, side, T-Rex	2	\$10.00 ea
70	H261-A	handle, reinforcement, center, T-Rex	1	\$14.99 ea
71	H222	screw, 10-32 x 1-1/4" phil pan head, s/s	2	\$0.99 ea
72	P541	lockout, floor machine	1	\$1.99 ea
73	H168	spring, lockout, floor machine	2	\$1.99 ea
74	H260	cover, switch box, T-REX	1	\$19.99 ea
75	G087	bumper w washer	2	\$0.99 ea
76	H017	screw, 10-32 x 1.5", FHSCS, s/s	2	\$0.99 ea
77	H018	screw, 10-32 x 1/2", FHSCS, s/s	3	\$0.99 ea
78	H161	roll pin, 1 3/4" x 1/8"	2	\$0.99 ea
79	H160	spring, switch/lever	2	\$0.99 ea
80	H149	bolt, 5/16" shldr x 5/8" w/ 1/4-20 thrd	1	\$0.99 ea
81	H839	lever, handle adj., floor machine	1	\$19.99 ea
82	H144	strain relief, power cord, metal	1	\$12.99 ea
83	E384	power cord, end, 15.5", 14/3	1	\$11.99 ea
84	H249B-ss	tube, t-rex	1	\$199.99 ea

**ITEMS NOT SHOWN**

PART NO.	DESCRIPTION	QTY.	MSRP
ADM-TREX	manual, TRex	1	N/A
G014	seal, felt, 1/2" thick	1	\$10.99 ea
H051	wrench, flat, 5/8"	1	\$3.99 ea
H053	tool, star removal	1	\$10.99 ea
E617A	25' extension cord, 16/3, black	1	\$36.99 ea
P576	star protector	1	\$24.99 ea
P568A	cord lock, S-type	1	\$8.99 ea
PH648	lubricant, teflon oil, tube	1	\$9.99 ea



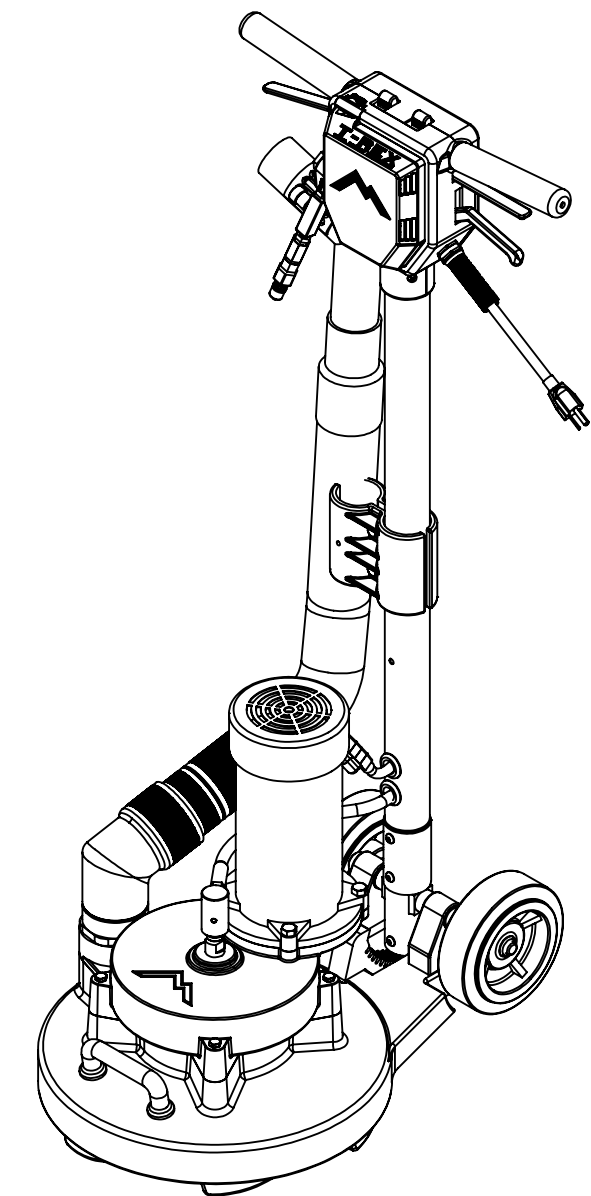
NAME		DATE		<b>MYTEE PRODUCTS, INC.</b> <small>858-679-1191</small>	
DRAWN		8/2013			
CHECKED				TITLE:	
				<h1>T-REX SS</h1>	
<small>PROPRIETARY AND CONFIDENTIAL</small>  <small>THE INFORMATION CONTAINED IN THIS DRAWING IS THE SOLE PROPERTY OF &lt;INSERT COMPANY NAME HERE&gt;. ANY REPRODUCTION IN PART OR AS A WHOLE WITHOUT THE WRITTEN PERMISSION OF &lt;INSERT COMPANY NAME HERE&gt; IS PROHIBITED.</small>		SIZE	DWG. NO.	REV	
		<b>C</b>	<b>T-Rex (SS)</b>	<b>B</b>	
		SCALE: 1:24	DO NOT SCALE DRAWING	SHEET 1 OF 3	



	NAME	DATE	<b>MYTEE PRODUCTS, INC.</b>	
DRAWN	M.LaBarbera	8/2013	858-679-1191	
CHECKED			TITLE:	
COMMENTS:			<b>T-REX SS</b>	
<b>PROPRIETARY AND CONFIDENTIAL</b>			SIZE	DWG. NO.
THE INFORMATION CONTAINED IN THIS DRAWING IS THE SOLE PROPERTY OF MYTEE PRODUCTS, INC. ANY REPRODUCTION IN PART OR AS A WHOLE WITHOUT THE WRITTEN PERMISSION OF MYTEE PRODUCTS, INC. IS PROHIBITED.			<b>C</b>	<b>T-Rex (SS)</b>
			SCALE: 1:24	REV <b>B</b>
			DO NOT SCALE DRAWING	SHEET 2 OF 3

**REVISIONS**

REV.	DESCRIPTION	DATE	APPROVED
OD	ORIGIANL DRAFT	3/28/2014	ML
A	E349 REPLACES E350	12/22/2014	ML
B	ADDED ELBOW ADAPTOR	4/21/2015	ML



	NAME	DATE	<b>MYTEE PRODUCTS, INC.</b> <small>858-679-1191</small>		
DRAWN	M.LoBarbera	8/2013	TITLE:		
CHECKED			<b>T-REX SS</b>		
<b>PROPRIETARY AND CONFIDENTIAL</b>					
<small>THE INFORMATION CONTAINED IN THIS DRAWING IS THE SOLE PROPERTY OF &lt;INSERT COMPANY NAME HERE&gt;. ANY REPRODUCTION IN PART OR AS A WHOLE WITHOUT THE WRITTEN PERMISSION OF &lt;INSERT COMPANY NAME HERE&gt; IS PROHIBITED.</small>			SIZE	DWG. NO.	REV
			<b>C</b>	<b>T-Rex (SS)</b>	<b>B</b>
			SCALE: 1:24	<small>DO NOT SCALE DRAWING</small>	SHEET 3 OF 3